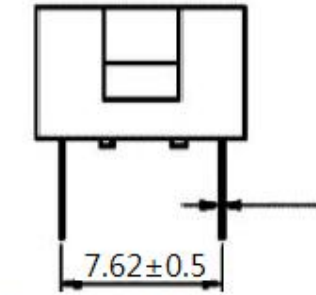
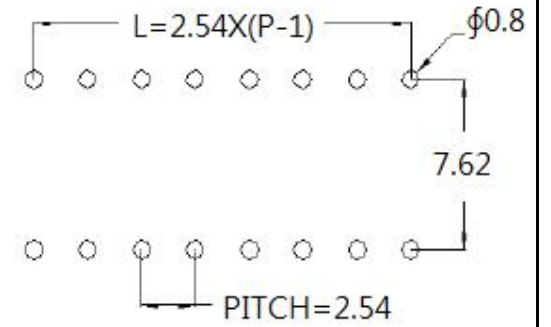


Raised Actuator

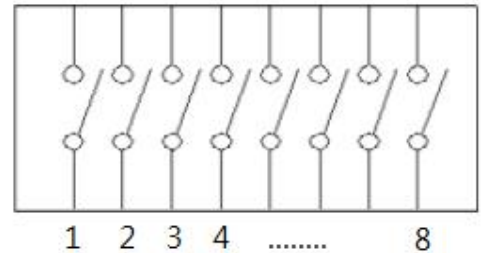


Recessed Actuator

DRILLING PLAN



WIRING DIAGRAM



Position No.	1	2	3	4	5	6
DIM. A(mm)	3.54	6.64	9.18	11.72	14.26	16.8
Position No.	7	8	9	10	12	
DIM. A(mm)	19.34	21.88	24.42	26.96	29.5	



Tolerances	Title: DIP Switch DS Series			
Linear/Angles	Part No.:	WCT-DSXX		
.x +/-0.1	Cus. P/N.:			
.xx +/-0.1	Drawer	Selina	Version	
Units: MM	Checked	Summer	Date	May-24-2017
No.	Name	Plating & Color	Material	Scale: 1:1
				Approved
				Macus
				Projection
				Sheet 1/1

No.	Name	Plating & Color	Material